



Helping hands for your Forklift truck

## Fork Positioners

T163S · T163ST



CUSTOMISED SOLUTION

APPLICATION RECOMMENDATION - LIGHT DUTY

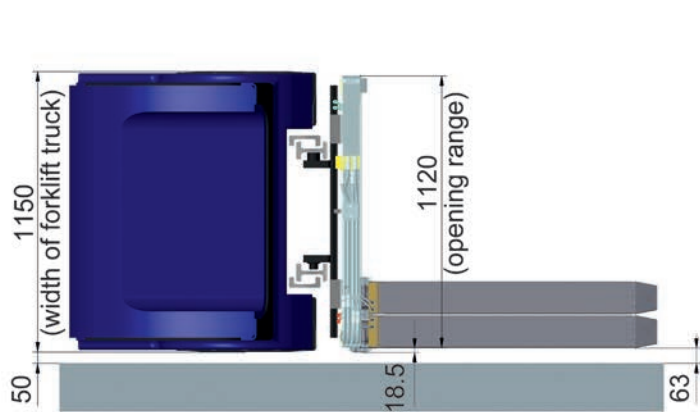
FORK POSITIONER 2T163ST

2T163ST  
NEW

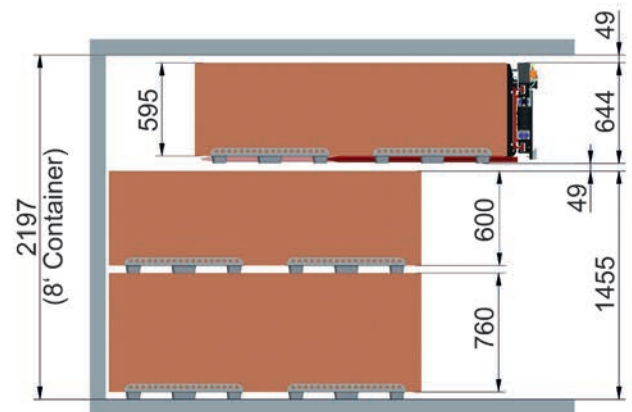
with telescopic forks e-l-m 2TFS 18

Ideal attachment for

- loading and unloading of containers
- handling of narrow loads to be picked up outside the width of the forklift truck
- handling of loads with low entry height e.g. sheet metal, chip boards, etc.



top view



side view

Maximum sideshift stroke of  $\pm 425$  mm for pick-up of narrow load units stacked against the wall

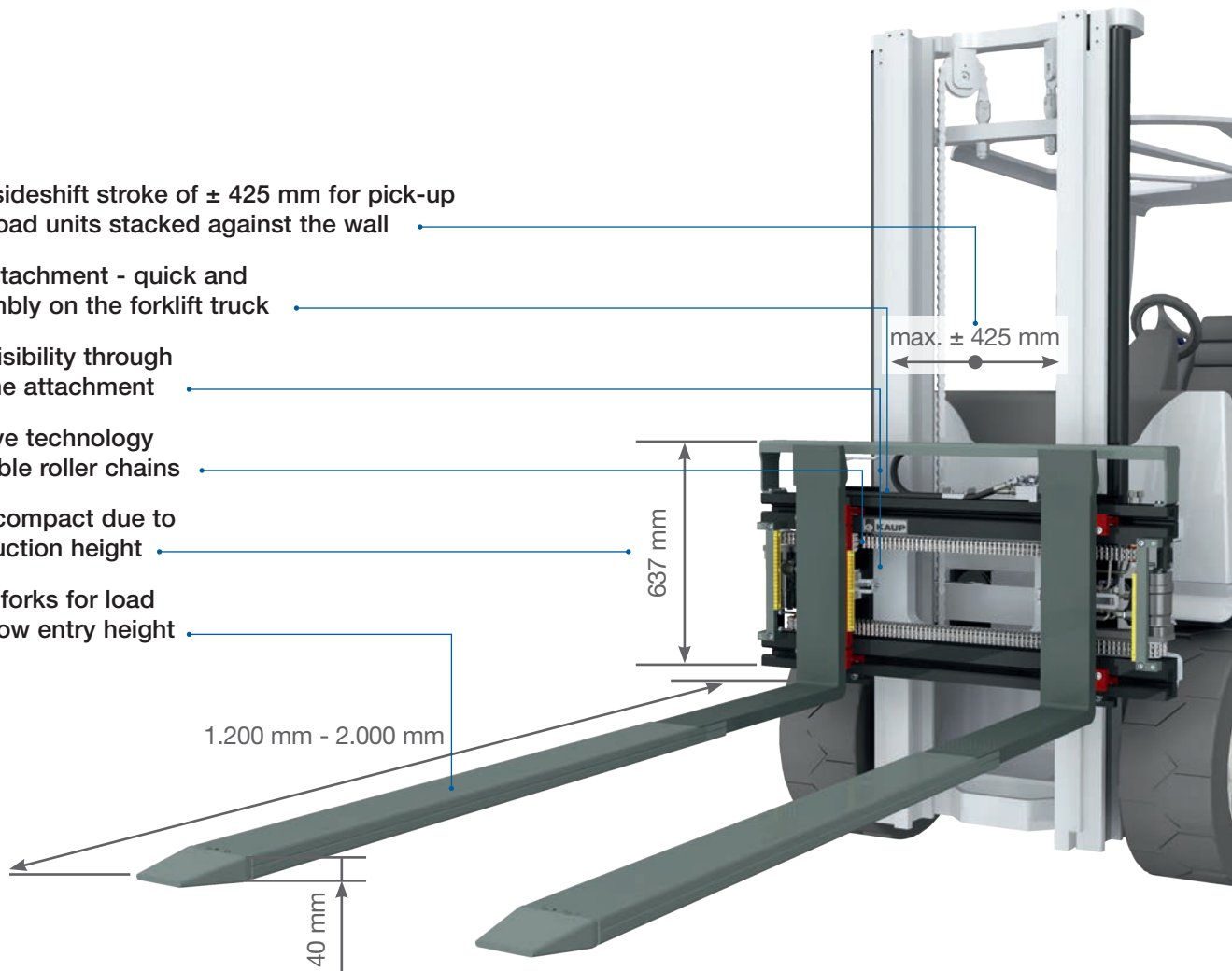
Hook-on attachment - quick and easy assembly on the forklift truck

Excellent visibility through and over the attachment

Robust drive technology due to double roller chains

Extremely compact due to low construction height

Telescopic forks for load units with low entry height

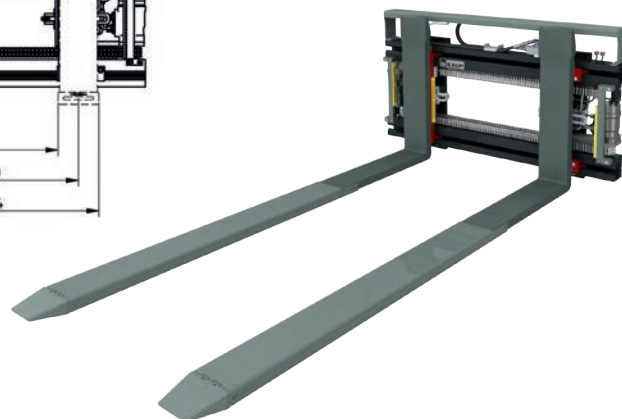
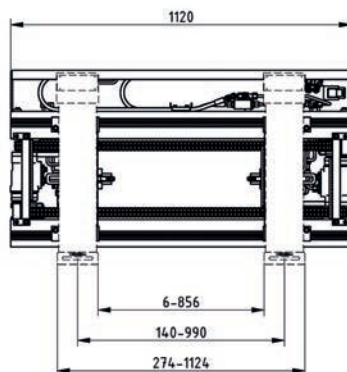
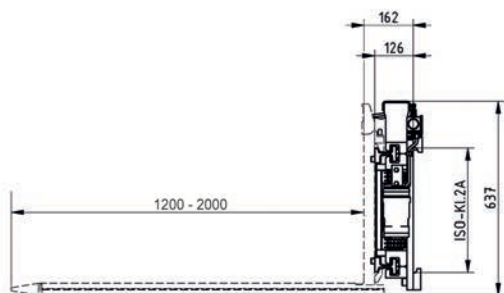


## FORK POSITIONER 2T163ST

# 2T163ST

NEW

with telescopic forks e-l-m 2TFS 18



with valveblock sideshift function (max.  $\pm 425$  mm)  
 Construction width 1.120 mm  
 Opening range outer edge of fork 274 - 1.124 mm  
 Capacity 800 kg at 1.250 mm LCD  
 Construction height approx. 637 mm  
 Lost load centre 126 mm  
 Centre of gravity at 50 mm  
 Centre of gravity<sub>V</sub> at 211 mm  
 Weight approx. 149 kg  
 suitable for fork shank widths of 125 mm

No. of hydraulic functions required: 2 (+1)  
 with solenoid valve

- Sideshift right
- Fork adjustment left solenoid valve free clearance
- Telescoping left solenoid valve activated

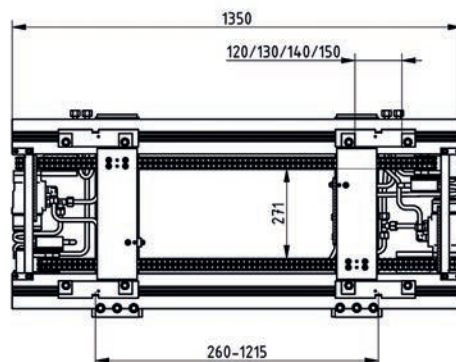
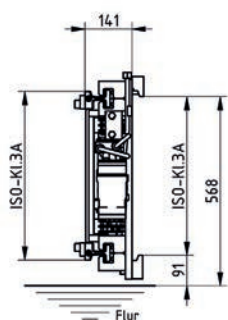
with hose connection for telescopic forks  
 suitable for Telescopic forks e-l-m 2TFS18

Mounting truck side: ISO class 2A  
 Mounting fork side: ISO class 2A

## FORK POSITIONER 4T163S

# 4T163S

NEW



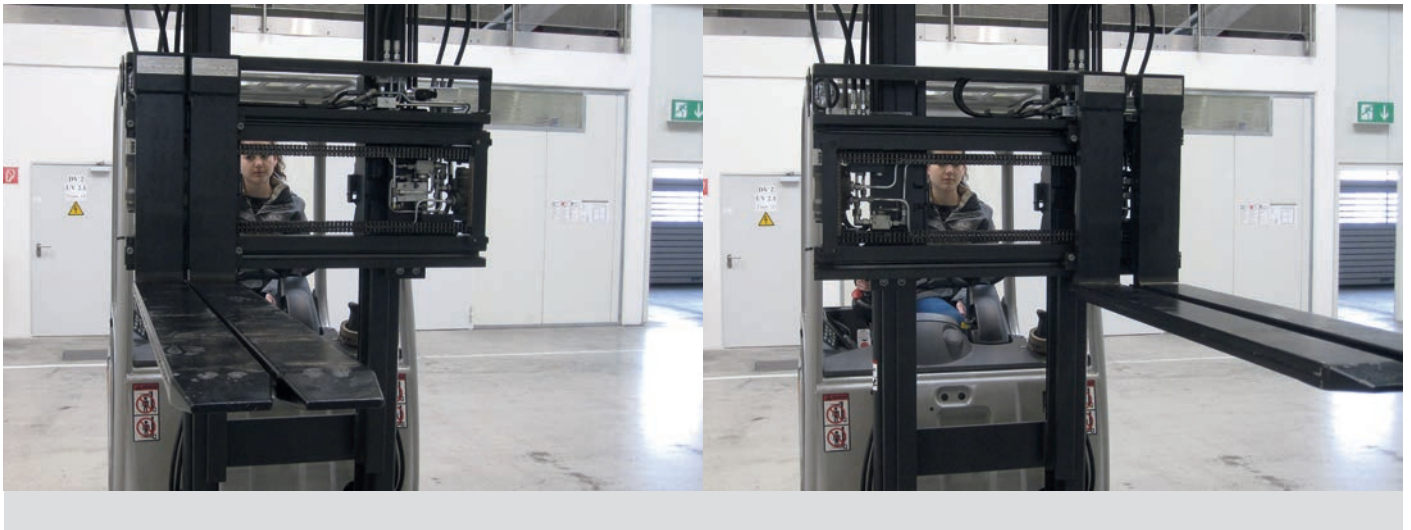
with valveblock sideshift function (max.  $\pm 475$  mm)  
 Construction width 1.350 mm  
 Opening range centre - centre forks 260 - 1.215 mm  
 Capacity 4.000 kg at 500 mm LCD  
 Lost load centre 141 mm  
 Centre of gravity at 60 mm  
 Centre of gravity<sub>V</sub> at 252 mm

Weight approx. 245 kg  
 suitable for fork shank widths of 120/130/140/150 mm

No. of hydraulic functions required: 2  
 Mounting truck side: ISO class 3A  
 Mounting fork side: ISO class 3A



## FORK POSITIONER 2T163ST with telescopic forks e-l-m 2TFS 18



KAUP attachments correspond to the requirements of the valid EC regulations regarding quality, safety and technical documentation. All technical data are subject to alteration.

KAUP is certified acc. to DIN EN ISO 9001



Helping hands for your Forklift truck

**KAUP GmbH & Co. KG**  
 Braunstrasse 17 · D - 63741 Aschaffenburg  
 ☎ +49 6021 865-0 · 📠 +49 6021 865-213  
 E-Mail: kaup@kaup.de · www.kaup.de